

Technical Specification

REF: PML6

ISS: 1

Key Features

- Self Adhesive or Clip in Fitment
- 12 or 24 volt operation
- Economic LED solution
- Minimal Power Consumption

Technical Specification

Functions: Front | Rear | Side| ABS

Homologation: ECE

Voltage: 12v | 24v

Power Consumption: Side (12v) 0.24w, (24v) 0.96w
Front (12v) 0.24w, (24v) 0.48w
Rear (12v) 0.24w, (24v) 0.72w
ABS (12v) 0.24w, (24v) 0.24w

Connection : Cable 150mm

Fixing : Self adhesive – Clip-in

IP Rating : IP67

Material : Lens - Polycarbonate| Housing - Polycarbonate

Temperature Range : -40°C to +50 °C

Part Numbers

SM1912V – M19 Side Marker – 12 Volt (ADR Markets Only)
SM1924V – M19 Side Marker – 24 Volt (ADR Markets Only)
FM1912V – M19 Front Marker – 12 Volt
FM1924V – M19 Front Marker – 24 Volt
RM1912V – M19 Rear Marker – 12 Volt
RM1924V – M19 Rear Marker – 24 Volt
AM1912V – M19 ABS Warning Lamp – 12 Volt
AM1924V – M19 ABS Warning Lamp – 24 Volt

See Also

M80 Series stalk markers

M19 Markers

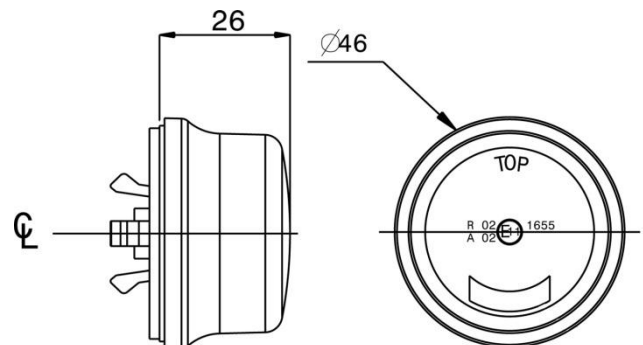


Overview

Side, Rear, Front and ABS Warning Markers with ECE and IP67 approval.

Low cost solution with minimal power consumption. Shelf adhesive or clip in mounting.

Drawing



www.perei.co.uk | sales@perei.co.uk | +44 (0) 1842 812290

Perei Group Limited | Keystone Innovation Centre | Thetford | Norfolk | IP24 1JD | United Kingdom

Specifications herein are subject to change without notice

PEREI