

Technical Specification

REF: PML3

ISS: 1

Key Features

- Flush or Bracket Mount
- 12 or 24 volt operation
- Integrated Reflex Reflector
- Low Cost Solution
- Low Profile Design

Technical Specification

Functions: Front | Rear | Side

Homologation: ECE

Voltage: 12v | 24v

Power Consumption: Side (12v) 0.36w, (24v) 0.72w
Front (12v) 0.48w, (24v) 0.48w
Rear (12v) 0.24w, (24v) 0.72w

Connection : Cable 200mm

Fixing : M4 Screws

IP Rating : IP67 Hermetically Sealed

Material : Lens - PMMA | Housing - ABS

Temperature Range : -40°C to +50 °C

Part Numbers

SM2012V – M20 Side Marker – 12 Volt
SM2024V – M20 Side Marker – 24 Volt
FM2012V – M20 Front Marker – 12 Volt
FM2024V – M20 Front Marker – 24 Volt
RM2012V – M20 Rear Marker – 12 Volt
RM2024V – M20 Rear Marker – 24 Volt

Bracket Kits: SM20HB – M20 Horizontal Pendant Bracket Kit
SM20VB – M20 Vertical Pendant Bracket Kit

See Also

M20 Markers

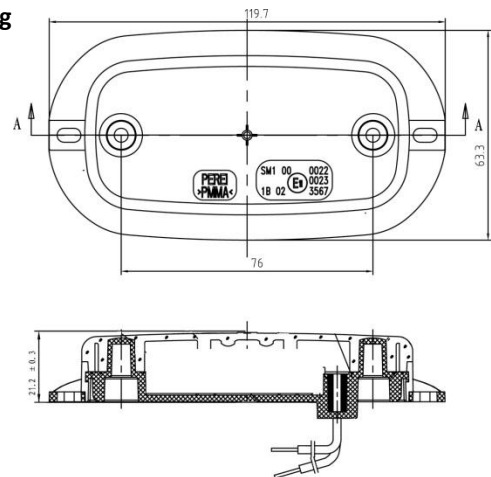


Overview

Low Profile designed Side, Rear and Front Markers with, ECE and IP67 approval.

Flush mount or pendant bracket mount with integrated reflex reflector. A low cost solution.

Drawing



www.perei.co.uk | sales@perei.co.uk | +44 (0) 1842 812290

Perei Group Limited | Keystone Innovation Centre | Thetford | Norfolk | IP24 1JD | United Kingdom

Specifications herein are subject to change without notice

