



# linx4

UNIVERSAL CONTROLLER

- 4 dynamic RGB switches
- Switch 1 - 10amp (max) Switches 2,3,4 - 6amp (max) Overall limit 15amps
- Easy user configurable latching or momentary functions
- User configurable 'activation' switch colour (Red, amber, green, blue & white)
- Dynamic hierarchy switch selection (parent & child configurable)
- Dynamic master switch selection
- Over current monitor and deactivation feature (3 flashes & beeps)
- Backlit switches (white)
- 1000mm power cable (power & earth)
- 3000mm switch/output cable (power, earth, switches 1,2,3,4)
- Activate/deactivate audible buzzer
- Standard transparent decals included
- 2 Year Warranty
- 12 & 24 volt operation
- IP52
- EMC/R10 compliant
- Manufactured in the United Kingdom





## Introduction

The LINX4 is a 4-way dynamic universal controller. This switched output is capable of switching all types of load applications including resistive, inductive and capacitive. The primary purpose is to switch Redtronic lighting and audible products.

The LINX4 consists of 4 independently controlled outputs one with a high current switching output of 10A and three with a maximum switching of 6A per output and an overall limit across the 4 outputs of 15A.

The outputs are monitored and if overcurrent is detected the outputs are immediately switched off. A fault will be indicated with 3 flashes and 3 beeps. The output cannot be re-enabled until the LINX4 has been power cycled.

The end user has the ability to place legends on the keys to indicate what the output does. There is also an ability to change the activation colour and mode of the switches (the default is red and latching). This allows the end user to customise the LINX4 to fit their needs.

## Part Numbers

LINX4-WH	Permanent install / hardwired
LINX4-WC	Cigarette plug

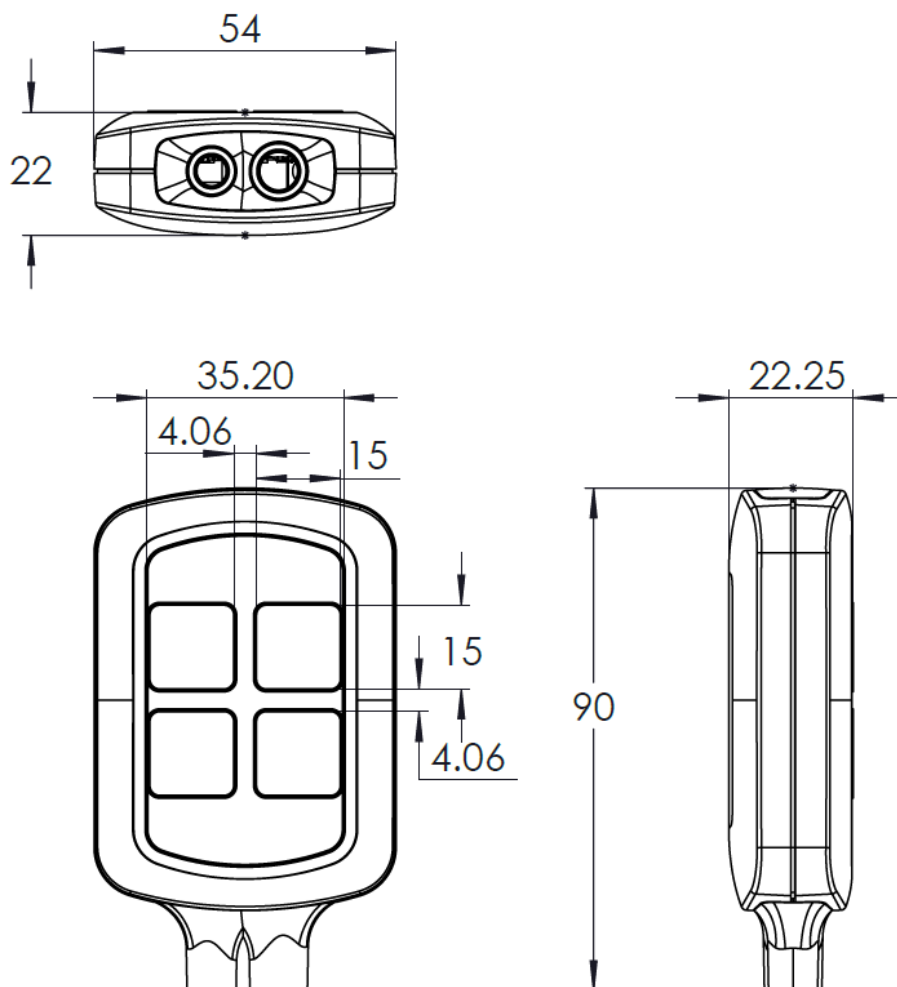
## Technical Specification

Overall Size	76mm x 54mm x 22mm
Material	ASA+PC-FR (UL 94 V-0)
Colour	Off-white RAL 9002
IP rating	IP 52
Supplies	12v or 24V 10A (when connected to Cigarette lighter socket) ignition switched 15A Car battery connection.
Output Current limit	OP1 Limited to 10A OP2-4 are 6A per output
Limited to 15A across all outputs.	
Output Number	4
Backlight	White
Default	Default (Red latching)
Selectable colours	Red, Amber, Green, Blue and White
Cables	2 core power cable 1M long 6 core power and switched output cable 3M long
Selectable switch modes	Latching or Momentary
Monitoring	Overcurrent monitoring per channel. Overall overcurrent monitoring across the 4 outputs.
Switch force	260 gf
Switch life	100000 Cycles
Temperature	-20°C to +70°C





## Dimensions



## Configuration



### Switch function & colour

1. Unit is depowered
2. Simultaneously hold switches 1 & 2
3. Power unit & enter switch function & colour setup mode
4. Select the function & colour of each switch by momentarily selecting each switch which will cycle through in the following order:
  - **Red** (latching) *Permanently illuminated*
  - **Blue** (latching) *Permanently illuminated*
  - **Green** (latching) *Permanently illuminated*
  - **Amber** (latching) *Permanently illuminated*
  - **White** (latching) *Permanently illuminated*
  - **Red** (momentary) *Flashing*
  - **Blue** (momentary) *Flashing*
  - **Green** (momentary) *Flashing*
  - **Amber** (momentary) *Flashing*
  - **White** (momentary) *Flashing*
5. Power cycle to save setting.





#### Active/deactivate buzzer

1. Unit is depowered
2. Simultaneously hold switches 3 & 4
3. Power unit to deactivate the buzzer.
4. Power cycle to save setting.
5. Repeat the procedure to reactivate buzzer.



#### Hierarchy switch selection *(this feature pre-sets a single parent switch which (when selected) 'unlocks' any child switches. Child switches can only be powered when the parent switch is activated)*

1. Unit is depowered
2. Simultaneously hold switches 1 & 3
3. Power unit to enter hierarchy switch setup mode
4. Select the desired parent switch by momentarily selecting the switch until it illuminates on full brightness. Select the desired child switches by selecting each switch until it is dimmed. Any switches which should not be within the hierarchy should be off. The switches can be cycled in the following order:
  - CHILD SWITCH *Dimmed*
  - PARENT SWITCH *Full brightness*
  - NO HIERARCHY *Off*

It is not possible to select more than one parent switch. Attempting to select more than one parent will automatically deactivate the first selected switch.

5. Power cycle to save setting.



#### Master switch selection *(this feature pre-sets a single master switch which (when selected) automatically saves which slave switches were activated on the last power cycle)*

1. Unit is depowered
2. Simultaneously hold switches 2 & 4
3. Power unit to enter master switch setup mode
4. Select the desired master switch by momentarily selecting the switch until it illuminates on full brightness. All remaining switches will automatically be considered slave switches of the master.

It is not possible to select more than one master switch. Attempting to select more than one master will automatically change the first selected switch.
5. Power cycle to save setting.





**Factory Reset**

1. Unit is depowered
2. Simultaneously hold switches 1 & 4
3. Power unit to restore factory settings.

**Installation**

**2 core cable**

The 2-core cable should be fused appropriately (recommended at 15amps hardwired or 10 amps when installed with a cigarette plug).

**Red (2mm):** Power / Positive 15amps overall  
**Black(2mm):** Earth / Negative

**6 core cable**

For hardwired installs the red (power) cable and black (earth) cable are unlikely to be required. In this case, they should be properly terminated with waterproof connectors.

**Description of cable functions**

**Red (2mm):** Power / Positive 15amps overall  
**Black(2mm):** Earth / Negative

**Blue (2mm):** Switch 1 10amps (max)  
**Green (1.28mm):** Switch 2 6amps (max)  
**Blue (1.28mm):** Switch 3 6amps (max)  
**Yellow (1.28mm):** Switch 4 6amps (max)

