

Technical Specification

REF: PF2

ISS 2

Key Features

- Coloured and Clear lens Options
- 12 or 24 volt operation
- Full Range of ECE Functions
- Compact Design

Technical Specification

Functions: Fog

Homologation: ECE

Voltage: 12v | 24v

Power Consumption: Fog (12v) 3.79w, (24v) 3.72w

Connection: Cable 500mm

Fixing: M4 Screws

IP Rating: IP67

Material: Lens – PMMA | Housing – ABS

Temperature Range: -40°C to +50°C

Part Numbers

RF84LED – 84mm Rear Fog LED

RF84LED – CLR – 84mm Rear Fog LED with Clear Lens

See Also

84mm Stop / Tail | Reverse | Direction Indicator

84mm LED Fog Lamp

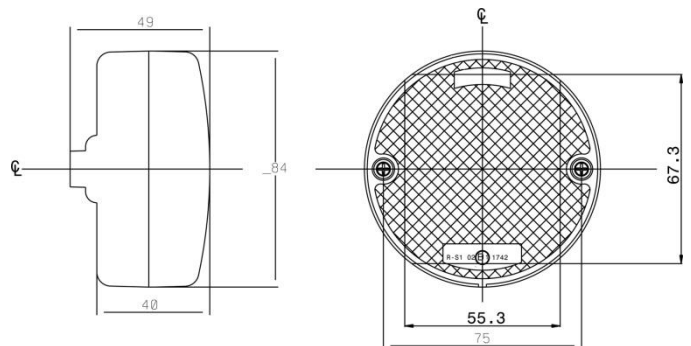


Overview

84mm LED lamp, available as: Stop/Tail, Rear Fog, Reverse, Front Direction Indicator Rear Direction Indicator.

Recessed Screws for a Cleaner Appearance, available with a clear or coloured lens.

Drawing



www.perei.co.uk | sales@perei.co.uk | +44 (0) 1842 812290

Perei Group Limited | Keystone Innovation Centre | Thetford | Norfolk | IP24 1JD | United Kingdom

Specifications herein are subject to change without notice

PEREI