

# DBG M37 R65 LED DIRECTIONAL WARNING MODULES



## VERSATILE STROBES WITH IP67



The DBG M37 series of LED directional warning modules come with a choice of 3, 4, or 6 LED configurations making them versatile for your vehicle needs. All variations come with an IP67 rating and a ECE R65 approved flash pattern so they can be used both on and off road. Comes with a 2 year warranty.

12/  
24v

LED

AMBER

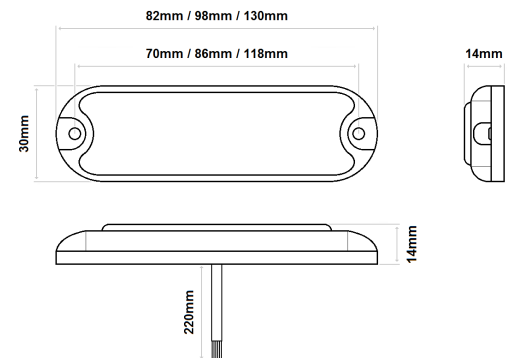
ECE  
R10

ECE  
R65

IP67

2  
YEAR  
WARRANTY

Part Number	LEDs	Approvals	Dimensions
308.HPF303VV	3	ECE R65 (Class I), ECE R10	82mm (l) x 30mm (h) x 14mm (d)
308.HPF304VV	4	ECE R65 (Class I), ECE R10	98mm (l) x 30mm (h) x 14mm (d)
308.HPF305VV	6	ECE R65 (Class I), ECE R10	130mm (l) x 30mm (h) x 14mm (d)



- » 10-30V operating voltage
- » 3, 4 or 6 latest-generation LEDs
- » 8 flash patterns for 3-LED version / 12 flash patterns for 4-LED & 6-LED versions
- » Synchronisation functionality
- » Surface mount with 2 screws - Ø 3.5mm
- » Easy installation with fly lead 220mm cable

- » Low-profile design
- » Polycarbonate housing & UV-stabilised lens
- » IP67 rated (temporary water submersion)
- » ECE R10 / ECE R65 (Class I) approved
- » Supplied with 3M™ self-adhesive gasket, bolts, spring washers and self tapping screws
- » 2 year warranty