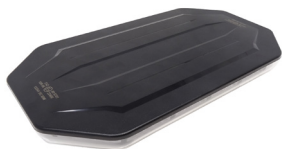
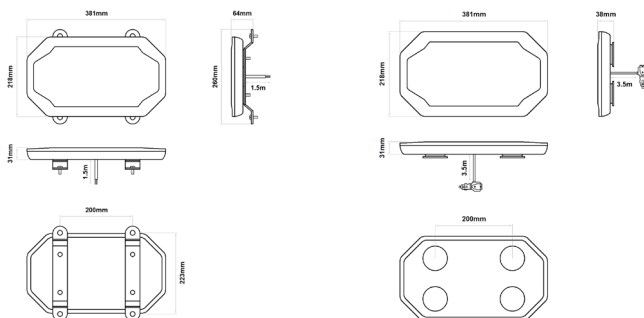


INSTALLATION + OPERATING INSTRUCTIONS



! IMPORTANT ! - Read all instructions before installing and operating the mini lightbar. This mini lightbar must be installed by a qualified automotive technician. Failure to do so may void your warranty.



SPECIFICATIONS

Dimensions (l) x (w) x (h)	381mm x 218mm x 31mm
Voltage Range	12-24V
LED Colour	Amber
Mounting	4 Bolt or Magnetic Mount
Flash Patterns	9
Approvals	ECE R65, ECE R10, CISPR 25 CLASS 1, SAE J845
IP Rating	IP67

MODELS AVAILABLE

SKU	Length (X)	Mounting	Modules	LEDs	LED Colour	Watts
308.R15CR65	381mm (15")	4 Bolt	14	68	Amber	65W
308.R15CR65MAG	381mm (15")	Mag Mount	14	68	Amber	65W

9 FLASH PATTERNS

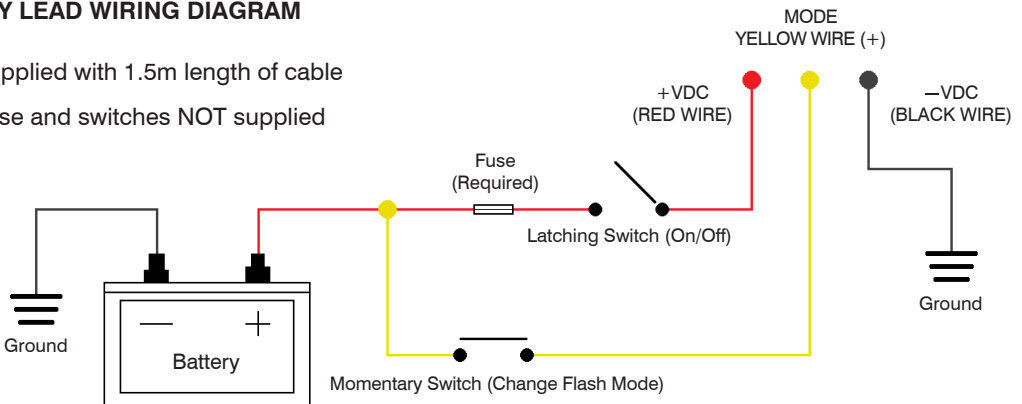
01	Single Flash (ECE R65)	06	Slow Clockwise
02	Double Flash (ECE R65)	07	Fast Anticlockwise (ECE R65)
03	Triple Flash (ECE R65)	08	Fast Clockwise (ECE R65)
04	Left / Right Flash	09	Full Cruise
05	Slow Anticlockwise		

! WARNING ! - Do NOT look directly at the LEDs when in operation to prevent damage to your eyes.

FLY LEAD WIRING DIAGRAM

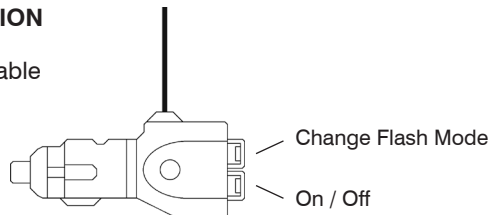
Supplied with 1.5m length of cable

Fuse and switches NOT supplied



MAGNETIC MOUNT OPERATION

Supplied with 3.5m length of cable



MOUNTING + FITTING INSTRUCTIONS

Carefully unpack and inspect the mini lightbar and all accessories before installing to ensure there are no damaged or missing parts.

Plan all cable routing before attempting installation and ensure voltage compatibility.

Mounting location must be a smooth, flat surface to ensure a secure fitting.

Mount centrally and ensure there are no obstructions limiting visibility to traffic.

Place and remove the mini lightbar without sliding to avoid damaging the vehicle.

If the mini lightbar slides or moves easily, a proper installation has NOT been attained.

! CAUTION ! - Disconnect the battery before wiring up the lightbar to prevent accidental shorting and/or electrical shock.

! CAUTION ! - When drilling into the vehicle surface, make sure the area is free from anything that could be damaged, including any electrical wires, fuel lines, upholstery, etc.

! WARNING ! - Do NOT attempt to attach the mini lightbar to an ice-covered vehicle.

! WARNING ! - Do NOT exceed 50mph / 80kph when magnetic mount mini lightbar is attached. High speeds could cause the mount to fail.



MODULE LENS CLEANING

Occasional cleaning is recommended to ensure optimal light output.

Although tough, polycarbonate scratches easily, so take care when cleaning.

Clean lens with soap and water or a lens polish using a soft cloth.

! WARNING ! - Do NOT use solvents as they may damage the lens.

! WARNING ! - Do NOT use high-pressure washers or automatic car washers. This mini lightbar is rated IP67.

TROUBLESHOOTING

All mini lightbars are performance tested prior to shipment. However, should you encounter a problem at any time, please refer to the below table for repair solutions. Additional information may be obtained from the manufacturer if required.

Problem	Probable Cause	Solution
Mini lightbar does not function	Wiring error	Ensure mini lightbar wiring is correct and all wire connections are secure
	Blown fuse	Check wiring and fuse. Replace fuse
Incorrect flash pattern	Wrong flash configuration	Re-program the flash pattern

MANUFACTURER'S WARRANTY

Dun-Bri Services Ltd warrants that on the date of purchase this product conforms to the specifications (available on request). Dun-Bri Services Ltd further warrants that this product is free from defects in materials and workmanship for 24 months from the date of purchase. Dun-Bri Services Ltd will at its discretion, repair or replace any product found to be defective, subject to the Limited Warranty.

Damage to parts or products resulting from tampering, accident, abuse, misuse, negligence, unapproved modifications, fire or other hazard, improper installation/operation or failure to maintain in accordance with the reasonable maintenance procedures set forth in Dun-Bri Services Ltd's installation and operating instructions shall void the Limited Warranty.

Verbal statements or representation about this product made by salespersons, dealers, agents or other representatives do not constitute part of the warranty agreement. This Limited Warranty may not be amended or extended except by written agreement, signed by an authorised official of Dun-Bri Services Ltd, which expressly refers to this Limited Warranty.

EXCLUSION OF OTHER WARRANTIES

Dun-Bri Services Ltd offers no further warranties, express or implied. The implied warranties for merchantability or fitness for a particular purpose are hereby excluded and shall not apply to the product. The buyer's sole and exclusive option in contract, tort, or any other practice against Dun-Bri Services Ltd regarding the product and its use shall be the replacement or repair of the product as described.

LIMITATION OF LIABILITY

In the event of liability for damages arising from this Limited Warranty or any other claim related to Dun-Bri Services Ltd's products, the liability for damages shall be limited to the amount paid for the product at the time of purchase. Under no circumstances shall Dun-Bri Services Ltd be liable for lost profits, the cost of substitute equipment or labour, property damage, or other special, consequential, or incidental damages based upon any claim for breach of contract, improper installation or negligence. Dun-Bri Services Ltd shall not be liable for any claim even if Dun-Bri Services Ltd or its representatives has been advised that damages of this nature are sought. Dun-Bri Services Ltd shall have no further obligation or liability with respect to the product or its sale, operation and use. Dun-Bri Services Ltd neither assumes nor authorises the assumption of any obligation or liability in connection with this product.