

Technical Specification

REF: PSR2

ISS:3

Key Features

- Clear or Coloured Lens Option
- VariVolt Operation
- High Power Single LED
- No Visible Fixings
- Common 3 Point Fixing

Technical Specification

Functions: Side Repeater

Homologation: ECE

Voltage: VariVolt (9-33V)

Power Consumption: Side Repeater (12V) 2.16W
(24V) 2.64W

Connection: Cable 150mm

Fixing: Integral panel clips
Maximum panel thickness: 6mm

IP Rating: IP67 Hermetically Sealed

Material: Lens – PMMA | Housing – ABS/Polycarbonate

Temperature Range: -40°C to +85°C

Part Numbers

DI101SZZ-5-2-AA CAT.6 Side Repeater Varivolt (9-33V) Amber

DI102SZZ-5-2-AA CAT.6 Side Repeater Varivolt (9-33V) Clear

See Also

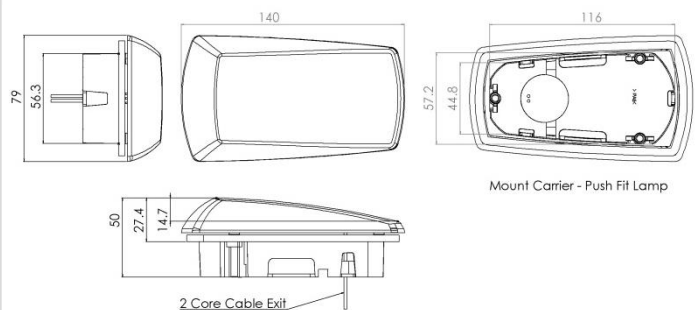
CAT.6 Side Repeater



Overview

CAT.6 Side Repeater uses a high power single LED with VariVolt operation. 3 Common fixing points for direct product replacement, No visible Fixings and a choice of coloured/clear lens.

Drawing



www.perei.co.uk | sales@perei.co.uk | +44 (0) 1842 812290

Perei Group Limited | 36 Wimbledon Avenue | Brandon | Suffolk | IP27 0NZ | United Kingdom

Specifications herein are subject to change without notice

PEREI