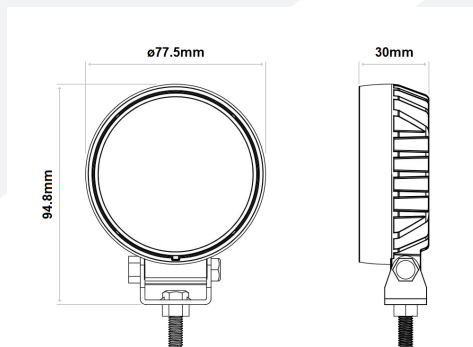


12-LED / 960 LUMENS LONG LIFE FLOOD WORK LIGHTS

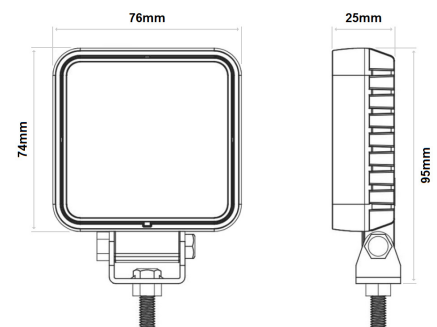
These 12-LED flood work lights use high-power OSRAM LEDs which create a higher lumen output using less wattage boosting the maintenance free life expectancy. Multi-voltage, ECE R10 approved, and an IP68 rating make this light the ideal choice for a wide variety of applications. Available in a round or square housing to suit your preference.



711.035



711.036



- » Fit for the harshest environments
- » Compact design
- » Robust aluminium alloy black housing
- » Stainless steel, rustproof, shockproof bracket
- » Reinforced polycarbonate lens
- » Highly efficient 12 x 1W LEDs
- » Easy installation with 1 bolt fixing and fly lead connection
- » Suitable for excavators, road rollers, bulldozers, cranes, agricultural vehicles, mining trucks, etc.