

HIGH-POWERED FLOOD WORK LIGHTS

6-LED / 2700 LUMENS



711.039

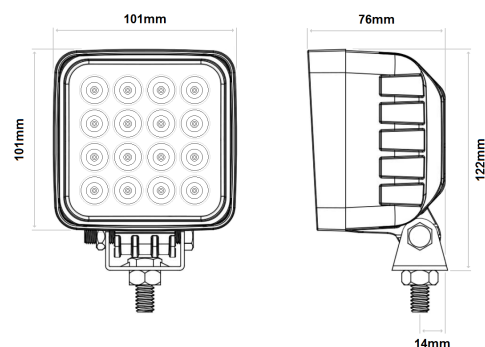
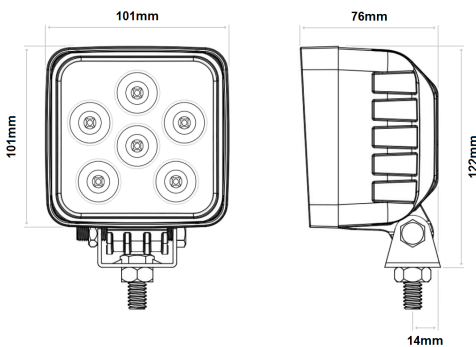
These high-powered flood work lights use CREE LED technology to maximise the luminosity output and lifespan of the light. These lights are perfect for lighting up a substantial work area so that your vehicle is clearly visible to everyone. Multi-voltage, ECE R10 approved, and an IP68 rating make this light the ideal choice for a wide variety of applications. Available with 6-LEDs emitting 2700 lumens, or 16-LEDs emitting 3840 lumens.



16-LED / 3840 LUMENS



711.040



- » Fit for the challenges of a work site
- » High-powered latest technology LEDs
- » Robust aluminium alloy black housing and stainless bracket
- » Impact-resistant polycarbonate lens
- » Easy installation with 1 bolt fixing and fly lead connection
- » Suitable for excavators, road rollers, bulldozers, cranes, forklifts, agricultural vehicles, mining trucks, etc.