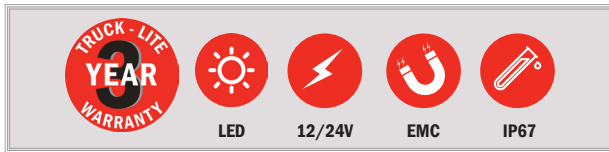


# LED REAR LAMP

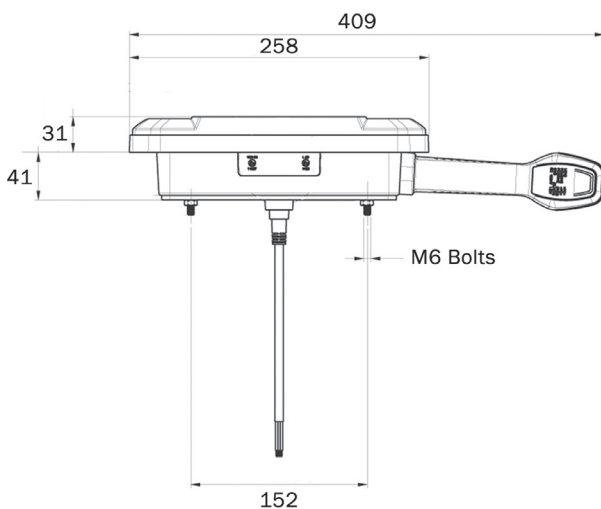
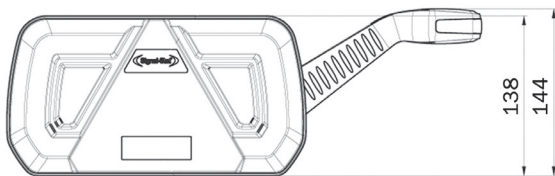
## SS/42

Multifunction LED Rear Lamp



### Main Features

- Stop, Tail, DI, Fog, Reverse functions
- Optional LED stalk lamp
- Fly-Lead or DIN variant



Part No.	SS/42105
Light Source	LED
Voltage	12/24V
Dimensions	L 409mm X H 138mm X D 70mm
Housing	Polycarbonate
Lens	PMMA
Mount/Fixings	Bolt mount M6
Connector	7 pin DIN
Functions	Multifunction
Warranty	3 Year
Approvals	ECE and EMC Approved
Testing	IP67
Application	Trailer
Power	Tail 0.3W, Stop 2W, Reverse 2.2W, Fog 4.5W, DI 2.2W, Stalk Lamp 2.9W

### Part Numbers

SS/42004 - Multifunction Rear Lamp, Right Hand, Cable Entry  
 SS/42005 - Multifunction Rear Lamp, Left Hand, Cable Entry  
 SS/42024 - Multifunction Rear Lamp, Stalk Lamp, RH, Cable Entry  
 SS/42025 - Multifunction Rear Lamp, Stalk Lamp, LH, Cable Entry

SS/42104 - Multifunction Rear Lamp, Right Hand, DIN Connector  
 SS/42105 - Multifunction Rear Lamp, Left Hand, DIN Connector  
 SS/42124 - Multifunction Rear Lamp, Stalk Lamp, RH, DIN  
 SS/42125 - Multifunction Rear Lamp, Stalk Lamp, LH, DIN



Truck-Lite Europe Ltd.  
 Contact: +44 (0)1279 406406

Online: [www.Truck-Lite.eu.com](http://www.Truck-Lite.eu.com)  
 Social Media: @truckliteurope

