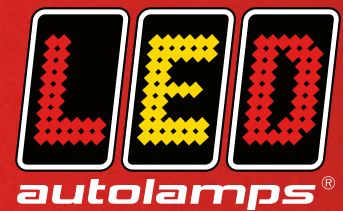


# 135RMES3

## S3 APPROVED HIGH MOUNT STOP LAMP



**Voltage Range:** 12/24V

**Warranty:** 5 Years

**Ingress Protection:** IP67

**Approval:** ECE, EMC

The new 135RMES3 high level brake light is fully approved to ECE R7-S3 – designed for high level mounting. This exclusive LED Autolamps Rear Lamp features a toughened acrylic glass lens, IP67 ingress protection and is covered by a five year warranty.

Specially engineered and approved to **ECE R7-S3** for high-position mounting



Includes surface mounting bracket



Signature diamond pattern lens

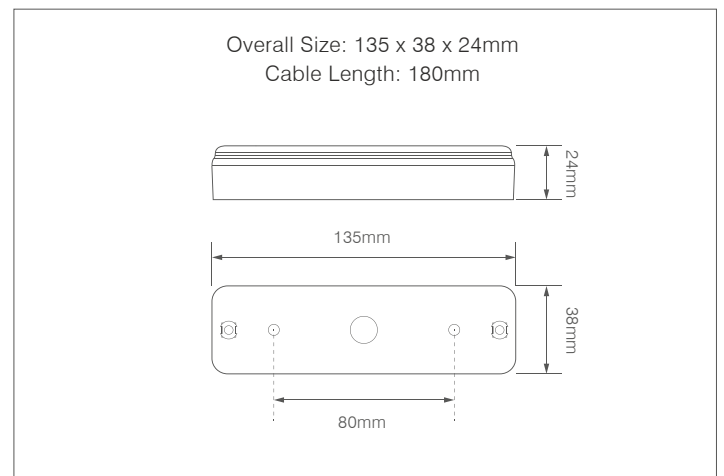


### HIGH MOUNT STOP LAMP

#### 135RMES3

Current Draw (13.8V / 28V):  
Stop: 0.07A / 0.05A

- Exclusive LED Autolamps design
- Surface mounted
- IP67 rated – fully waterproof
- Guaranteed for five years
- Tough acrylic lens
- Recess mount brackets available



Full range of 135 Series surface mount lamps also available:



**T:** +44 (0)121 313 2222 **F:** +44 (0)121 313 2272 **E:** sales@ledautolamps-uk.com

LED Autolamps Europe LLP, Unit 8J, Maybrook Business Park, Minworth, Sutton Coldfield, B76 1AL, United Kingdom

[WWW.LEDAUTOLAMPS-UK.COM](http://WWW.LEDAUTOLAMPS-UK.COM)